

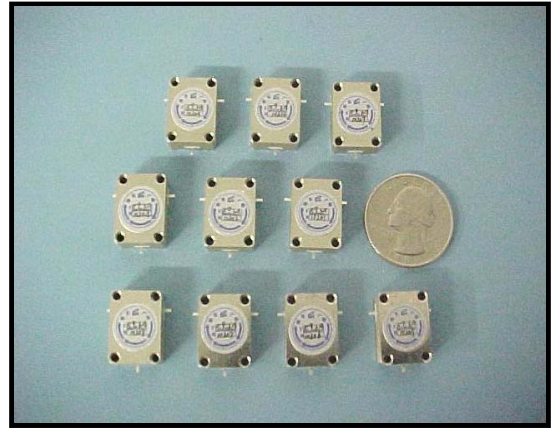
## Drop-in Isolators and Circulators

### FEATURES:

- ❖ Low Cost, High Quality
- ❖ Compact Size, Light Weight
- ❖ High Performance
- ❖ Wide Operation Temperature Range

### APPLICATIONS:

- ❖ Load isolation
- ❖ Module integration
- ❖ Transceiver duplexer



**CID & CCD Series**

### SPECIFICATIONS:

#### ISOLATORS:

| Model No.      | Frequency Range (GHz) | Band Width (MHz) | Insert.Loss (dB Max) | Isolation (dB Min) | VSWR (Max) | Operating Temp. Range (°C) | Power (W) | Size LXWXH (mm) |
|----------------|-----------------------|------------------|----------------------|--------------------|------------|----------------------------|-----------|-----------------|
| *CIDU4U50323S  | 0.4-0.5               | 40               | 0.3                  | 23                 | 1.20       | -40 to +70                 | 10        | 40X43.5X14.5    |
| *CIDU4U50325G  | 0.4-0.5               | 30               | 0.3                  | 25                 | 1.20       | -15 to +60                 | 60        | 44X54X16        |
| *CIDU4U50423G  | 0.4-0.5               | 30               | 0.4                  | 23                 | 1.20       | -15 to +60                 | 150       | 44X57.5X16      |
| *CIDU4U60325G  | 0.4-0.6               | 10               | 0.3                  | 25                 | 1.20       | -15 to +60                 | 10        | 35X38X15        |
| *CIDU6U80325G  | 0.6-0.8               | 30               | 0.3                  | 25                 | 1.20       | -30 to +70                 | 10        | 35X38X15        |
| *CIDU6010325G  | 0.6-1.0               | 30               | 0.3                  | 25                 | 1.20       | -30 to +70                 | 60        | 35X47X12.6      |
| *CIDU6010325GH | 0.6-1.0               | 30               | 0.3                  | 25                 | 1.20       | -30 to +70                 | 150       | 35X50X12.6      |
| *CIDU7010323S  | 0.7-1.0               | 70               | 0.3                  | 23                 | 1.20       | -40 to +70                 | 10        | 30X35.5X12.2    |
| *CIDU8010323GH | 0.8-1.0               | 25               | 0.3                  | 23                 | 1.20       | -30 to +70                 | 60        | 25.4X31.7X6.8   |
| *CIDU8010520G  | 0.8-1.0               | 100              | 0.5                  | 20                 | 1.25       | -30 to +70                 | 60        | 25.4X31.7X6.8   |
| *CIDU8010540G  | 0.8-1.0               | 25               | 0.5                  | 40                 | 1.20       | -30 to +70                 | 60        | 55.1X31.7X6.8   |
| *CIDU8010323S  | 0.8-1.0               | 20               | 0.35                 | 23                 | 1.20       | -30 to +80                 | 10        | 25.4X31.7X6.8   |
| *CIDU8010323G  | 0.8-1.2               | 25               | 0.35                 | 23                 | 1.20       | -30 to +70                 | 10        | 20X20X8.6       |
| *CIDU8010650G  | 0.8-1.2               | 25               | 0.65                 | 50                 | 1.20       | -30 to +70                 | 10        | 41X21X8.6       |
| *CIDU8010550G1 | 0.8-1.2               | 70               | 0.5                  | 50                 | 1.20       | -30 to +70                 | 10        | 60X46X13.6      |
| *CIDU8010325G1 | 0.8-1.2               | 70               | 0.3                  | 25                 | 1.20       | -30 to +70                 | 10        | 30X33X12        |
| *CIDU8010420G  | 0.8-1.2               | 200              | 0.4                  | 20                 | 1.25       | -30 to +70                 | 10        | 30X33X12        |
| *CIDU8010325G2 | 0.8-1.4               | 25               | 0.3                  | 25                 | 1.20       | -30 to +70                 | 10        | 25.4X25.4X12    |
| *CIDU8010550G2 | 0.8-1.8               | 25               | 0.5                  | 50                 | 1.20       | -30 to +70                 | 10        | 50X25.4X12      |
| *CIDU8010550GH | 0.8-1.8               | 25               | 0.5                  | 50                 | 1.20       | -30 to +70                 | 60        | 50X33.4X12      |



## Drop-in Isolators and Circulators

| Model No.      | Frequency Range (GHz) | Band Width (MHz) | Insert.Loss (dB Max) | Isolation (dB Min) | VSWR (Max) | Operating Temp. Range (°C) | Power (W) | Size LXWXH (mm) |
|----------------|-----------------------|------------------|----------------------|--------------------|------------|----------------------------|-----------|-----------------|
| *CIDU8020323S  | 0.8-2.0               | 20               | 0.35                 | 23                 | 1.20       | -30 to +80                 | 10        | 20X20X9.6       |
| *CIDU9020323S  | 0.9-2.3               | 90               | 0.3                  | 23                 | 1.20       | -40 to +70                 | 10        | 25.4X30X10.5    |
| *CIDU9020325G  | 0.95-2.0              | 70               | 0.3                  | 25                 | 1.20       | -30 to +70                 | 10        | 25.4X28.5X12    |
| *CIDU9020420G  | 0.95-2.0              | 200              | 0.4                  | 20                 | 1.25       | -30 to +70                 | 10        | 25.4X28.5X12    |
| CIDU9010520G   | 0.99-1.13             | full             | 0.5                  | 20                 | 1.25       | -30 to +70                 | 10        | 20X20X9.1       |
| *CID01010420G  | 1.0-1.4               | 200              | 0.4                  | 20                 | 1.20       | -30 to +70                 | 10        | 25.4X25.4X12    |
| *CID01020323S1 | 1.4-2.1               | 100              | 0.3                  | 23                 | 1.20       | -40 to +70                 | 10        | 20X28X12        |
| *CID01020325G1 | 1.4-2.4               | 70               | 0.3                  | 25                 | 1.20       | -30 to +70                 | 10        | 25.4X25.4X12    |
| *CID01020420G  | 1.4-2.4               | 200              | 0.4                  | 20                 | 1.20       | -30 to +70                 | 10        | 25.4X25.4X12    |
| *CID01020323G1 | 1.5-2.0               | 70               | 0.3                  | 23                 | 1.20       | -30 to +70                 | 10        | 20X20X9         |
| *CID01020323S2 | 1.5-2.5               | 40               | 0.35                 | 23                 | 1.20       | -40 to +70                 | 10        | 19X19X8.7       |
| *CID01020323S3 | 1.5-2.5               | 40               | 0.35                 | 23                 | 1.20       | -40 to +70                 | 10        | 19X19X8.3       |
| CID01010420GH  | 1.605-1.625           | full             | 0.4                  | 20                 | 1.20       | -30 to +70                 | 10        | 15X16.5X6.6     |
| *CID01020323G2 | 1.7-2.2               | 70               | 0.3                  | 23                 | 1.20       | -30 to +70                 | 60        | 25.4X31.7X6.8   |
| *CID01020323G3 | 1.7-2.3               | 100              | 0.3                  | 23                 | 1.20       | -40 to +80                 | 60        | 20X30X11.5      |
| *CID01020323S4 | 1.7-2.4               | 100              | 0.3                  | 23                 | 1.20       | -40 to +70                 | 10        | 25X30X10.5      |
| *CID01020325G2 | 1.7-2.5               | 30               | 0.3                  | 25                 | 1.20       | -30 to +70                 | 10        | 19X19X8.2       |
| *CID01020323G4 | 1.7-2.5               | 100              | 0.3                  | 23                 | 1.20       | -30 to +70                 | 10        | 19X19X8.2       |
| *CID01020322G  | 1.7-2.5               | 70               | 0.3                  | 22                 | 1.20       | -30 to +70                 | 5         | 19X19X5.6       |
| *CID01020640G  | 1.7-2.5               | 70               | 0.6                  | 40                 | 1.20       | -30 to +70                 | 5         | 38X19X5.6       |
| *CID01020322GH | 1.7-2.5               | 70               | 0.3                  | 22                 | 1.20       | -30 to +70                 | 60        | 19X25.4X5.6     |
| *CID01020325G3 | 1.7-2.5               | 30               | 0.3                  | 25                 | 1.20       | -30 to +70                 | 60        | 19X27X8.2       |
| *CID01020323G5 | 1.7-2.5               | 100              | 0.3                  | 23                 | 1.20       | -30 to +70                 | 60        | 19X27X8.2       |
| *CID02030325G1 | 2.0-3.0               | 200              | 0.3                  | 25                 | 1.20       | -30 to +70                 | 10        | 20X30X11.5      |
| *CID02030420G  | 2.0-3.0               | 400              | 0.4                  | 20                 | 1.20       | -30 to +70                 | 10        | 20X30X11.5      |
| *CID02030325S  | 2.0-3.2               | 200              | 0.3                  | 25                 | 1.20       | -40 to +70                 | 10        | 22X30X10.5      |
| *CID02030325G2 | 2.0-3.5               | 200              | 0.3                  | 25                 | 1.20       | -30 to +70                 | 10        | 25X30X11.5      |
| *CID02030423G  | 2.0-3.5               | 400              | 0.4                  | 23                 | 1.20       | -30 to +70                 | 10        | 25X30X11.5      |
| *CID02030323G  | 2.0-3.5               | 200              | 0.3                  | 23                 | 1.20       | -30 to +70                 | 10        | 18X25X10        |
| *CID02040325S  | 2.1-4.5               | 200              | 0.3                  | 25                 | 1.20       | -40 to +70                 | 10        | 18X25X10.5      |
| CID02020520G   | 2.2-2.3               | full             | 0.5                  | 20                 | 1.25       | -40 to +80                 | 5         | 10X22.5X9.8     |
| *CID02050323S  | 2.7-5.0               | 200              | 0.3                  | 23                 | 1.20       | -40 to +70                 | 10        | 14X22X10        |
| *CID03060323G  | 3.0-6.0               | 300              | 0.3                  | 23                 | 1.20       | -30 to +70                 | 10        | 19X19X7.7       |
| *CID03060520G  | 3.0-6.0               | 500              | 0.5                  | 20                 | 1.25       | -30 to +70                 | 10        | 19X19X7.7       |



## Drop-in Isolators and Circulators

| Model No.      | Frequency Range (GHz) | Band Width (MHz) | Insert.Loss (dB Max) | Isolation (dB Min) | VSWR (Max) | Operating Temp. Range (°C) | Power (W) | Size LXWXH (mm) |
|----------------|-----------------------|------------------|----------------------|--------------------|------------|----------------------------|-----------|-----------------|
| *CID03060325G  | 3.5-6.5               | 300              | 0.3                  | 25                 | 1.20       | -40 to +75                 | 10        | 16X26X10.5      |
| *CID03060423G  | 3.5-6.5               | 600              | 0.4                  | 23                 | 1.20       | -40 to +75                 | 10        | 16X26X10.5      |
| *CID03060550G  | 3.5-6.5               | 300              | 0.5                  | 50                 | 1.20       | -40 to +75                 | 10        | 32X26X10.5      |
| *CID04070325G  | 4.0-7.0               | 300              | 0.3                  | 25                 | 1.20       | -40 to +75                 | 10        | 14X22X9.5       |
| *CID04070423G  | 4.0-7.0               | 600              | 0.4                  | 23                 | 1.20       | -40 to +75                 | 10        | 14X22X9.5       |
| *CID04080323S  | 4.0-8.0               | 400              | 0.3                  | 23                 | 1.20       | -40 to +70                 | 10        | 16X23X9.7       |
| *CID04080325G  | 4.4-8.0               | 300              | 0.3                  | 25                 | 1.20       | -40 to +75                 | 10        | 12.7X19X6       |
| *CID04080420G  | 4.4-8.0               | 600              | 0.4                  | 20                 | 1.20       | -40 to +75                 | 10        | 12.7X19X6       |
| *CID04080325S  | 4.8-8.5               | 400              | 0.3                  | 25                 | 1.20       | -40 to +70                 | 10        | 12X20X9.5       |
| *CID05070325G  | 5.0-7.0               | 200              | 0.3                  | 25                 | 1.20       | -40 to +75                 | 10        | 10X18X8         |
| *CID05070423G  | 5.0-7.0               | 600              | 0.4                  | 23                 | 1.20       | -40 to +75                 | 10        | 12X20X9.5       |
| *CID05070550G  | 5.0-7.0               | 100              | 0.5                  | 50                 | 1.20       | -40 to +75                 | 10        | 22X18X8         |
| *CID05080325G  | 5.0-8.0               | 300              | 0.3                  | 25                 | 1.20       | -40 to +75                 | 10        | 12X20X6         |
| *CID05080423G  | 5.0-8.0               | 600              | 0.4                  | 23                 | 1.20       | -40 to +75                 | 10        | 12X20X6         |
| *CID07180325GH | 7.0-18                | 300              | 0.3                  | 25                 | 1.20       | -40 to +75                 | 10        | 12X20X9.5       |
| *CID07180423GH | 7.0-18                | 1000             | 0.4                  | 23                 | 1.20       | -40 to +75                 | 10        | 12X20X9.5       |
| *CID07180325G  | 7.0-18                | 300              | 0.3                  | 25                 | 1.20       | -40 to +75                 | 5         | 8.9X15X7.8      |
| *CID07180423G  | 7.0-18                | 1000             | 0.4                  | 23                 | 1.20       | -40 to +75                 | 5         | 8.9X15X7.8      |
| *CID07180550G  | 7.0-18                | 500              | 0.5                  | 50                 | 1.20       | -40 to +75                 | 5         | 17.8X16X7.8     |
| *CID08160423S  | 8.0-16                | 800              | 0.4                  | 23                 | 1.25       | -40 to +70                 | 10        | 9X16X6.8        |
| *CID08180323G  | 8.0-18                | 300              | 0.3                  | 23                 | 1.20       | -40 to +75                 | 5         | 8.9X13.5X7.8    |
| *CID08180420G  | 8.0-18                | 1000             | 0.4                  | 20                 | 1.20       | -40 to +75                 | 5         | 8.9X13.5X7.8    |
| *CID08180425G  | 8.0-18                | 300              | 0.4                  | 25                 | 1.20       | -40 to +75                 | 5         | 8.9X15X5.6      |
| *CID08180523G  | 8.0-18                | 1000             | 0.5                  | 23                 | 1.20       | -40 to +75                 | 5         | 8.9X15X5.6      |
| *CID09180423G  | 9.0-18                | 100              | 0.4                  | 23                 | 1.20       | -40 to +75                 | 5         | 6.5X12.7X6.8    |
| *CID09180650G  | 9.0-18                | 100              | 0.6                  | 50                 | 1.20       | -40 to +75                 | 5         | 13X12.7X6.8     |
| CID10130520G   | 10-13                 | full             | 0.5                  | 20                 | 1.25       | -40 to +75                 | 5         | 7X19.5X5.7      |
| *CID12200423S  | 12-20                 | 1200             | 0.4                  | 23                 | 1.25       | -40 to +70                 | 10        | 6X12.7X7.2      |

OTHER FREQUENCY BANDS ARE ALSO AVAILABLE.

\*THE SPECIFICATIONS FOR THESE MODELS ARE ONLY FOR THE SPECIFIED FREQUENCY BW.



## Drop-in Isolators and Circulators

### CIRCULATORS:

| Model No.      | Frequency Range (GHz) | Band Width (MHz) | Insert.Loss (dB Max) | Isolation (dB Min) | VSWR (Max) | Operating Temp. Range (°C) | Power (W) | Size LXWXH (mm) |
|----------------|-----------------------|------------------|----------------------|--------------------|------------|----------------------------|-----------|-----------------|
| *CCDU3U40323G  | 0.3-0.4               | 30               | 0.3                  | 23                 | 1.20       | -15 to +60                 | 150       | 52X58X16        |
| *CCDU4U50323G  | 0.4-0.5               | 30               | 0.3                  | 23                 | 1.20       | -15 to +60                 | 150       | 44X50X16        |
| *CCDU4U50323S  | 0.4-0.5               | 40               | 0.3                  | 23                 | 1.2        | -40 to +70                 | -         | 40X40.5X13.5    |
| *CCDU4U60323G  | 0.4-0.6               | 10               | 0.3                  | 23                 | 1.20       | -15 to +60                 | 150       | 35X38X15        |
| *CCDU6U80323G  | 0.6-0.8               | 30               | 0.3                  | 23                 | 1.20       | -30 to +70                 | 150       | 35X38X15        |
| *CCDU7010323S  | 0.7-1.0               | 70               | 0.3                  | 23                 | 1.2        | -40 to +70                 | -         | 30X32.5X12.2    |
| *CCDU8010323G  | 0.8-1.2               | 25               | 0.35                 | 23                 | 1.20       | -30 to +70                 | 30        | 20X20X8.6       |
| *CCDU8010323GH | 0.8-1.2               | 70               | 0.3                  | 23                 | 1.20       | -30 to +70                 | 100       | 30X33X12        |
| *CCDU8010325G  | 0.8-1.4               | 25               | 0.3                  | 25                 | 1.20       | -30 to +70                 | 60        | 25.4X25.4X12    |
| *CCDU9020323S  | 0.9-2.3               | 90               | 0.3                  | 23                 | 1.2        | -40 to +70                 | -         | 25.4X27X10.5    |
| *CCDU9020323G  | 0.95-2.0              | 70               | 0.3                  | 23                 | 1.20       | -30 to +70                 | 60        | 25.4X28.5X12    |
| *CCDU9020420G  | 0.95-2.0              | 200              | 0.4                  | 20                 | 1.25       | -30 to +70                 | 60        | 25.4X28.5X12    |
| *CCD01010420G  | 1.0-1.4               | 200              | 0.4                  | 20                 | 1.20       | -30 to +70                 | 60        | 25.4X25.4X12    |
| *CCD01020323SH | 1.4-2.1               | 100              | 0.3                  | 23                 | 1.2        | -40 to +70                 | -         | 20X25X12        |
| *CCD01020420G  | 1.4-2.4               | 200              | 0.4                  | 20                 | 1.20       | -30 to +70                 | 60        | 25.4X25.4X12    |
| *CCD01020323G  | 1.4-2.4               | 70               | 0.3                  | 23                 | 1.20       | -30 to +70                 | 60        | 20X25.4X12      |
| *CCD01020323S  | 1.5-2.5               | 40               | 0.35                 | 23                 | 1.2        | -20 to +80                 | -         | 19X19X8.7       |
| *CCD01020323GH | 1.7-2.2               | 70               | 0.3                  | 23                 | 1.20       | -30 to +70                 | 100       | 25.4X25.4X6.8   |
| *CCD01020322G  | 1.7-2.5               | 70               | 0.3                  | 22                 | 1.20       | -30 to +70                 | 60        | 19X19X5.6       |
| *CCD02030325S  | 2.0-3.2               | 200              | 0.3                  | 25                 | 1.2        | -40 to +70                 | -         | 22X27X10.5      |
| *CCD02030420G  | 2.0-3.5               | 400              | 0.4                  | 20                 | 1.25       | -30 to +70                 | 20        | 25X26X11.5      |
| *CCD02030323G  | 2.0-3.5               | 200              | 0.3                  | 23                 | 1.20       | -30 to +70                 | 20        | 20X25X11.5      |
| *CCD02040325S  | 2.1-4.5               | 200              | 0.3                  | 25                 | 1.2        | -40 to +70                 | -         | 18X23.5X10.5    |
| *CCD03060323G  | 3.0-6.0               | 300              | 0.3                  | 23                 | 1.20       | -30 to +70                 | 20        | 19X19X7.7       |
| *CCD03060420G  | 3.5-6.5               | 600              | 0.4                  | 20                 | 1.20       | -40 to +75                 | 20        | 16X22X10.5      |
| *CCD04080323S  | 4.0-8.0               | 400              | 0.3                  | 23                 | 1.2        | -40 to +70                 | -         | 16X23X9.7       |
| CCD04080615G   | 4.0-8.0               | Full             | 0.6                  | 15                 | 1.4        | -                          | 10        | 14X22X9         |
| CCD04080518G   | 4.0-8.0               | Full             | 0.5                  | 18                 | 1.3        | -                          | 10        | 20X26X14        |
| *CCD04080520G  | 4.4-8.0               | 600              | 0.5                  | 20                 | 1.25       | -40 to +75                 | 10        | 12.7X12.7X6     |
| *CCD04080423G  | 4.4-8.0               | 300              | 0.4                  | 23                 | 1.20       | -40 to +75                 | 10        | 12.7X17X6       |
| CCD06120618G   | 6.0-12.0              | Full             | 0.6                  | 18                 | 1.35       | -                          | 10        | 16X26X13        |
| *CCD07180323G  | 7.0-18.0              | 300              | 0.3                  | 23                 | 1.20       | -40 to +75                 | 10        | 12.7X17X8       |
| *CCD07180420G  | 7.0-18.0              | 1000             | 0.4                  | 20                 | 1.20       | -40 to +75                 | 10        | 12.7X17X8       |

# CERNEX, Inc.

## Drop-in Isolators and Circulators

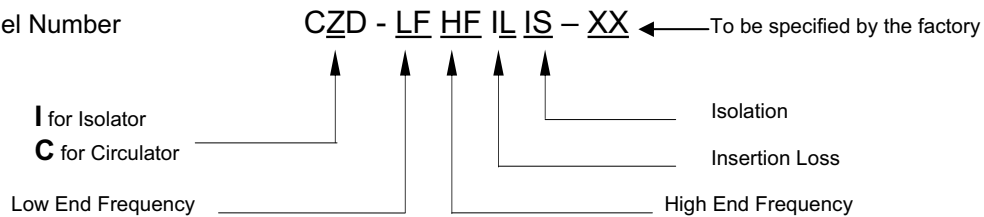
| Model No.     | Frequency Range (GHz) | Band Width (MHz) | Insert.Loss (dB Max) | Isolation (dB Min) | VSWR (Max) | Operating Temp. Range (°C) | Power (W) | Size LXWXH (mm) |
|---------------|-----------------------|------------------|----------------------|--------------------|------------|----------------------------|-----------|-----------------|
| CCD08120618G  | 8.0-12                | Full             | 0.6                  | 18                 | 1.30       | -                          | 10        | 8.9X15X7.8      |
| *CCD08160423S | 8.0-16                | 800              | 0.4                  | 23                 | 1.25       | -40 to +70                 | -         | 10X13.5X6.8     |
| *CCD08180323G | 8.0-18                | 300              | 0.3                  | 23                 | 1.20       | -40 to +75                 | 10        | 8.9X12.5X7.8    |
| *CCD08180420G | 8.0-18                | 1000             | 0.4                  | 20                 | 1.25       | -40 to +75                 | 10        | 8.9X12.5X7.8    |
| *CCD08180423G | 8.0-18                | 300              | 0.4                  | 23                 | 1.20       | -40 to +75                 | 10        | 8.9X12.5X5.6    |
| *CCD08180520G | 8.0-18                | 1000             | 0.5                  | 20                 | 1.25       | -40 to +75                 | 10        | 8.9X12.5X5.6    |
| *CCD12200423S | 12-20                 | 1200             | 0.4                  | 23                 | 1.25       | -40 to +70                 | -         | 6X12.7X7.2      |

OTHER FREQUENCY BANDS ARE ALSO AVAILABLE.

\*THE SPECIFICATIONS FOR THESE MODELS ARE ONLY FOR THE SPECIFIED FREQUENCY BW.

### HOW TO ORDER CUSTOM PARTS:

Specify Model Number

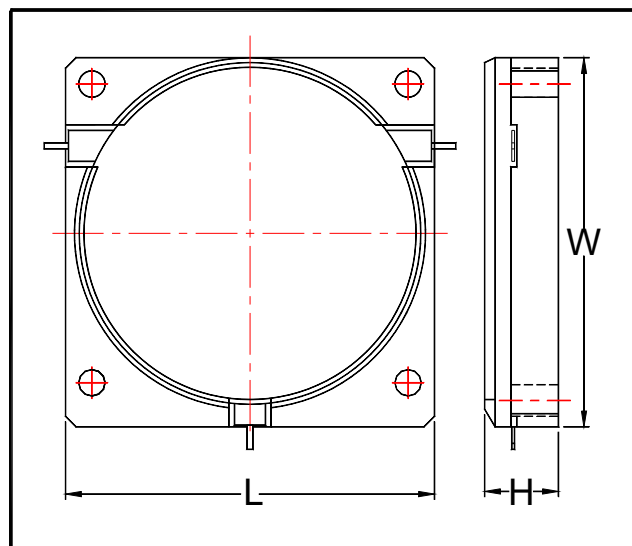
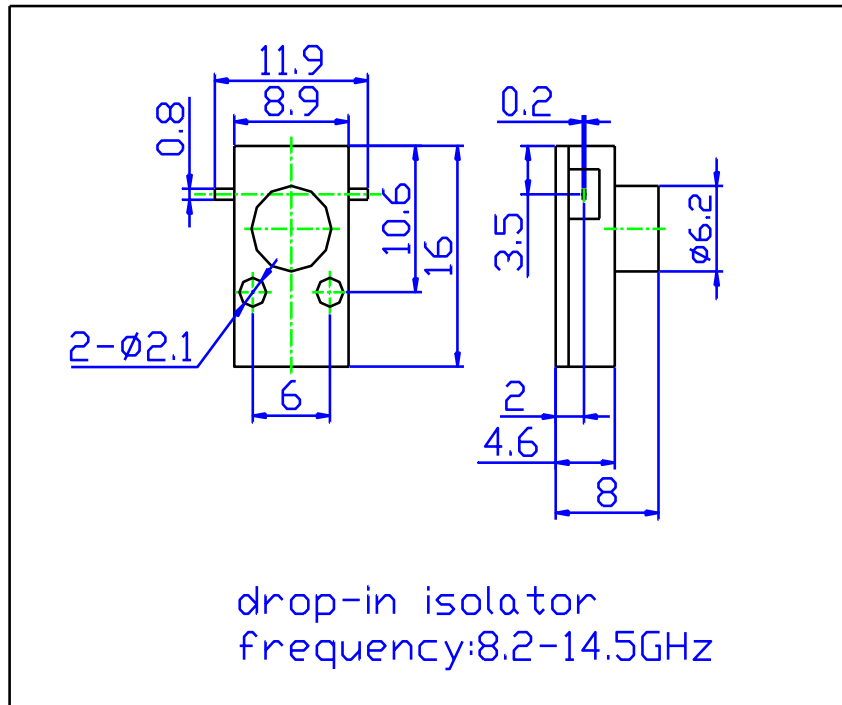


**Example:** To order a 1.8-2.0 GHz isolator with 0.3 dB maximum insertion loss and 20 dB minimum isolation and, specify CID-01020320-XX.

CERNEX RESERVE THE RIGHT TO CHANGE THE SPECIFICATIONS WITHOUT NOTICE

# CERNEX, Inc.

## Drop-in Isolators and Circulators



# CERNEX, Inc.

## Drop-in Isolators and Circulators

