



## **EZArmored Ruggedized Cable Assemblies**

The new EZArmored Ruggedized Cable series (EZARM 401 and 402) incorporate our line of high performance EZFlex cables with a nearly indestructible armor jacket.

Designed to withstand the harsh mechanical stresses in the typical laboratory that quickly damage standard test cables, these cables can endure extreme environments where they are subjected to being stepped on by individuals or driven over by vehicles. Test results have shown that they can withstand a compression force of 4000 pounds per linear inch.

- Extremely Rugged
- For Harsh Environments
- Low Leakage
- Low VSWR





# Swept Right Angle Assemblies

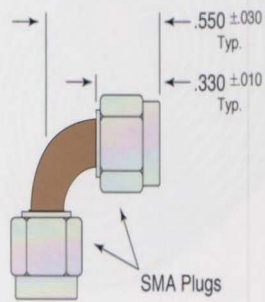
## An alternative to swept adapters and receptacles

Swept right angle SMA adapters and receptacles provide better electrical performance than standard types, but can be quite expensive and sources are limited. EZ Form swept assemblies offer an economical and dependable alternative, with typical VSWR of 1.25:1 to 18 GHz.

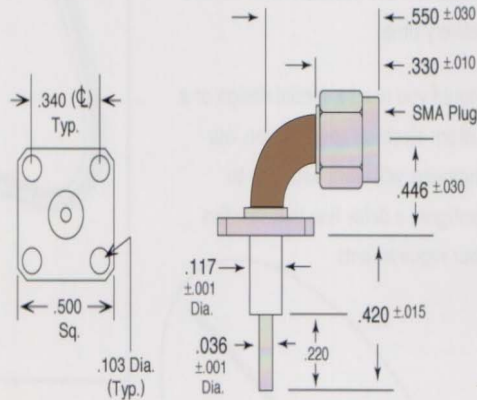
The assemblies incorporate EZ Form .141" cable, and SMA plugs which use the cable center conductor as the contact. Please call for any configurations not shown.

### Standard swept assemblies

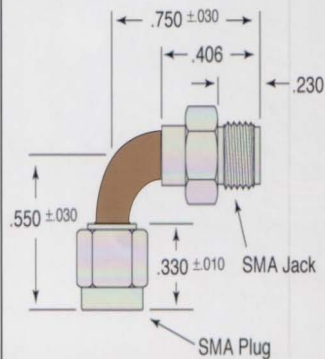
P/N 300051  
SMA Plug-SMA Plug  
.141" cable



P/N 300053  
SMA Plug-Receptacle  
.141" cable



P/N 300052  
SMA Plug-SMA JACK  
.141" cable



P/N 300054  
SMA Jack-Receptacle  
.141" cable

